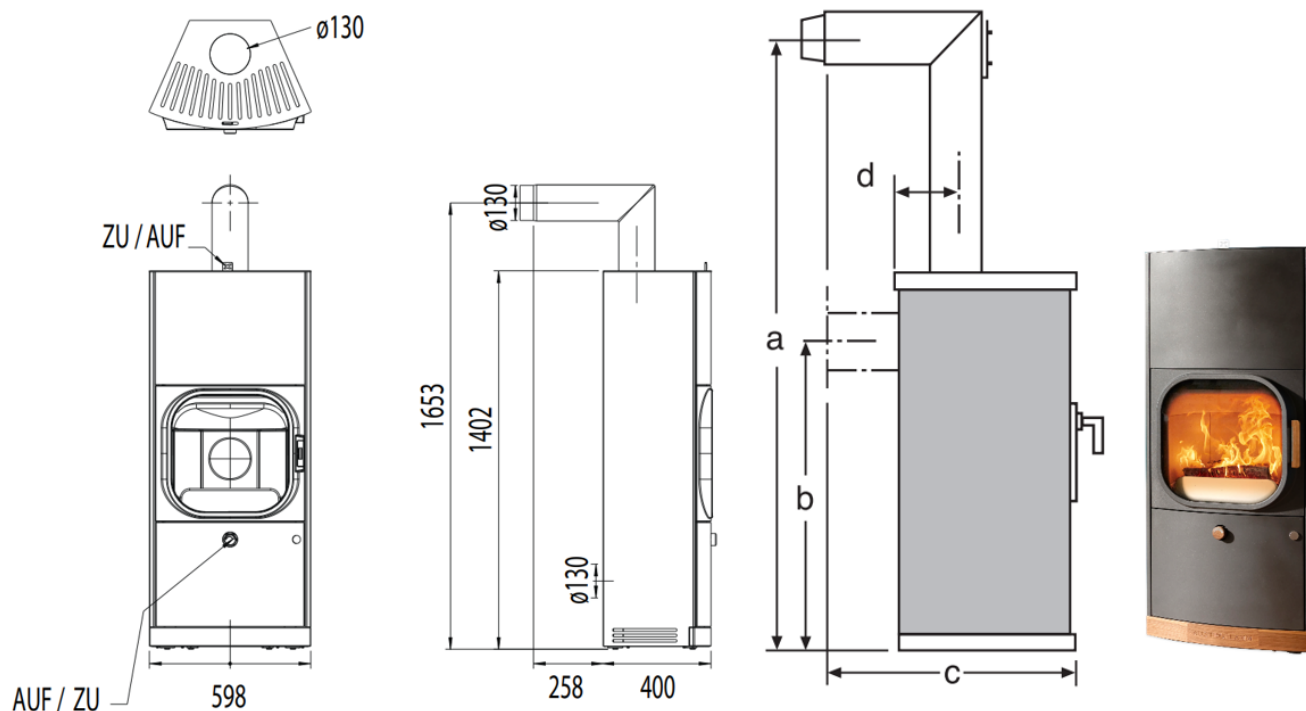


KYLIE XTRA



www.austroflamm.com



DIMENSIONS AND WEIGHTS

Steel casing (STM) h x w x d [mm]	1402 x 598 x 400
Ceramic casing (KMG) h x w x d [mm]	-
Soapstone casing (SPM) h x w x d [mm]	-
Firebox h x w x d [mm]	376 x 414 x 270
Weight STM [kg]	270
Weight Xtra [kg]	135
Flue pipe outlet [mm]	130
Flue pipe connection, middle [mm]	1004
Dimensions a, b, c, d [mm]	1654 / 1004 / 658 / 125
Safety distances to combustibile materials front-side / side / rear [mm]	1200-600 / 200 / 200
Corner installation*	1200-600* / 200*

HEAT OUTPUT

Nominal heat output under EN 13240 [kW]	6
Min. / max. heat output [kW]	3.5 / 8
Space heating capacity (depending on the building insulation)[m³]	65 - 165
Energy efficiency category	A+

FITTINGS

XTRA heat storage technology	o
Heat Memory System	-
Ash box	o
external air connection / balanced flue operation	rear or bottom

DATA FOR THE CHIMNEY SWEEP

Total flue gas flow, closed [g/s]	4.67
Flue gas temperature, closed [°C]	297
Minimum feed pressure at nominal heat efficiency, closed [Pa]	10
at 0.8 times nominal heat efficiency [Pa]	8