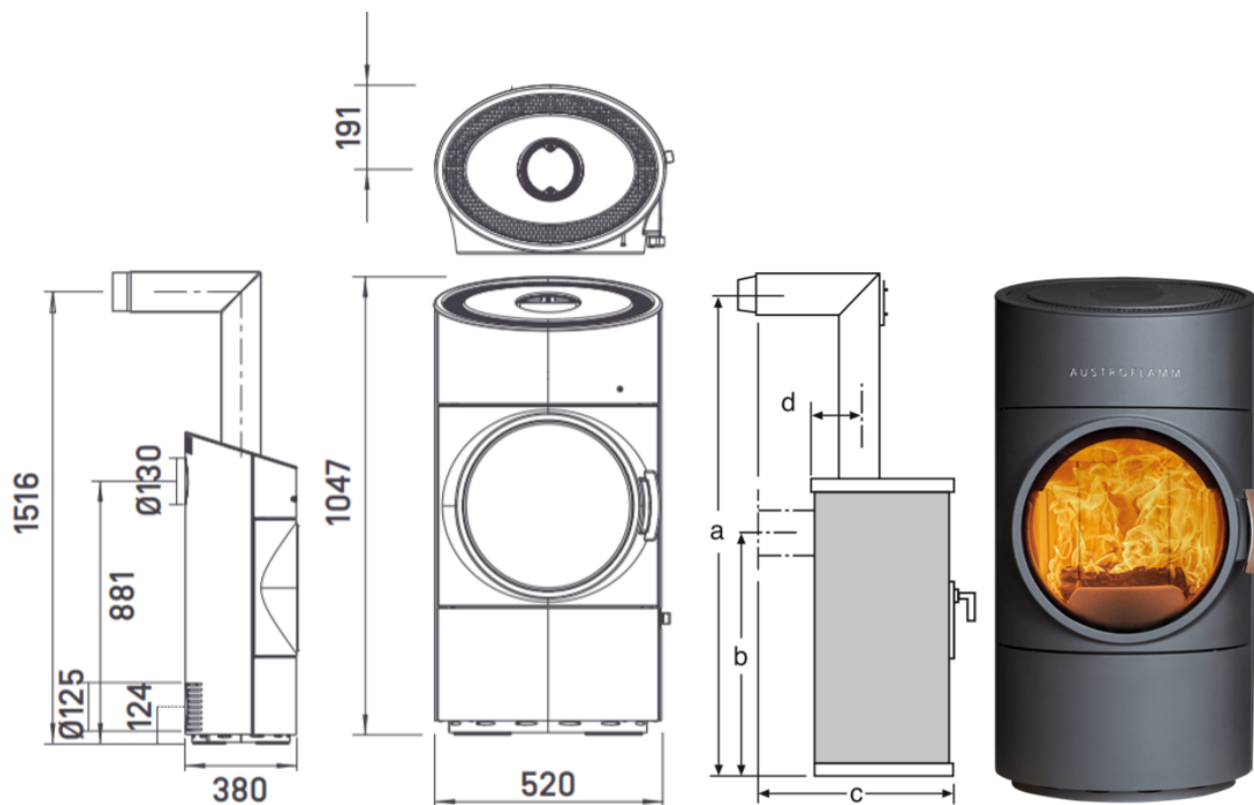


CLOU COMPACT





DIMENSIONS AND WEIGHTS

Steel casing (STM) h x w x d [mm]	1047 x 520 x 380
Ceramic casing (KMG) h x w x d [mm]	-
Soapstone casing (SPM) h x w x d [mm]	-
Firebox h x w x d [mm]	349 x 328 x 225
Weight STM / KMG / SPM [kg]	114 / - / -
Flue pipe outlet [Ø mm]	130
Flue pipe connection, middle [mm]	880
Dimensions a, b, c, d [mm]	1516 / 880 / 574 / 189
Safety distances to combustible materials front / side / rear [mm] for corner installation*	1000 / 250 / 150 1000* / 200*

OUTPUT

Nominal heat efficiency as per EN 13240 [kW]	6
Heat output min. / max. [kW]	3.5 / 8
Room heating capacity (depending on the building insulation) [m³]	65 - 165
Energy efficiency class	A

FITTINGS

XTRA heat storage technology	-
Heat Memory System	-
Ash box	o
external air connection / balanced flue operation	rear or bottom

DATA FOR THE CHIMNEY SWEEP

Total flue gas flow, closed [g/s]	5.43
Flue gas temperature, closed [°C]	322
Minimum feed pressure at nominal heat efficiency, closed [Pa]	13
at 0.8 times nominal heat efficiency [Pa]	10